

Mobile and versatile

Mobile
and
versatile



Custom made solutions

Contents

Mobile safety transformers / mobile isolation transformers

Pages 4-7

Mobile safety transformers:

- Series 2516 (120 - 160 VA)
- Series 6200 (320 -500 VA)
- Series 6700 (630 -1200 VA)
- Series 3500 (1500 -2000 VA)
- Series 7900 (2500 -3500 VA)



Mobile isolation transformers:

- Series 2516 (120 - 160 VA)
- Series 6200 (320 -500 VA)
- Series 6700 (630 -1200 VA)
- Series 3500 (1500 -2000 VA)
- Series 3900 (2500 VA)
- Series 7900 (3000 - 3500 VA)

Stationary safety transformers / stationary isolation transformers

Pages 8-10

Stationary safety transformers:

- Series 2516 (120 - 160 VA)
- Series 3800 (320 -500 VA)
- Series 3800 (630 VA)
- Series 3900 (1000 -1500 VA)
- Series 7900 (2000 -3500 VA)



Stationary isolation transformers:

- Series 2516 (120 - 160 VA)
- Series 3800 (320 -500 VA)
- Series 3800 (630 VA)
- Series 3900 (1000 -2000 VA)
- Series 7900 (2500 - 3500 VA)

Mobile isolation safety transformers / portable transformers

Pages 11-12



Dimensioned drawings / dimensions table for transformers

Pages 13-14

Distributing box

Page 15



Safety and isolation transformers in solid rubber casing



Thanks to their mechanical and electrical properties, GIFAS solid rubber safety distributors are ideal for use as transformer casings.

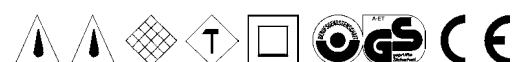
From mobile distributors, to wall-mounted distributors through to inspection vehicles, we supply any design you need.

Our solid rubber casing transformers offer:

- Transformers conform to VDE 0551, EN 60742
- Safety insulated casing conforming to VDE 0100, Part 410
- Sockets and plugs conforming to VDE 0623, DIN 49462/63 and EIC 309
- GS proved
- Guidelines for BGV-A1, BGV-A2, VDE 0100, Part 100 observed
- Wrapped thermal element can also be used for crossflow blower control if required
- External screws made from stainless steel and cannot be lost
- Easy-to-service design as all parts can be replaced individually

On request these distribution boards can also be engraved, e.g. with your company name.

Subject to technical modifications.



Mobile safety transformers 120–1200 VA

2516 series



Dimensions:
H x W x D = 160 x 250 x 90 mm

6200 series



Dimensions:
H x W x D = 275 x 280 x 230 mm

6700 series



Dimensions:
H x W x D = 305 x 350 x 280 mm

Order no.	Output	voltage		Output	Internals	Safety devices		Series	Symbols
		230 V	24 V			PRI	SEC		
208768	120 VA	230 V	24 V	1 CEE 2 x 16 A/24 V	1 thermaloverloadsafety switch	0.6 A		2516	
208628	120 VA	230 V	42 V	1 CEE 2 x 16 A/42 V	1 thermaloverloadsafety switch	0.6 A		2516	
209431	160 VA	230 V	24 V	1 CEE 2 x 16 A/24 V	1 thermaloverloadsafety switch	0.8 A		2516	
209430	160 VA	230 V	42 V	1 CEE 2 x 16 A/42 V	1 thermaloverloadsafety switch	0.8 A		2516	
208045	320 VA	230 V	24 V	2 CEE 2 x 16 A/24 V	1 thermaloverloadsafety switch	1.6 A		6200	
208353	320 VA	230 V	42 V	2 CEE 2 x 16 A/42 V	1 thermaloverloadsafety switch	1.6 A		6200	
208093	500 VA	230 V	24 V	2 CEE 2 x 16 A/24 V	1 thermaloverloadsafety switch	2.0 A		6200	
208094	500 VA	230 V	42 V	2 CEE 2 x 16 A/42 V	1 thermaloverloadsafety switch	2.5 A		6200	
210939	630 VA	230 V	24 V	2 CEE 2 x 16 A/24 V	1 thermaloverloadsafety switch	3.0 A	Fine fuse 16 A	6700	
209379	630 VA	230 V	42 V	2 CEE 2 x 16 A/42 V	1 thermaloverloadsafety switch	3.0 A		6700	
208899	1000 VA	230 V	24 V	4 CEE 2 x 16 A/24 V	1 thermaloverloadsafety switch	5.0 A	Fine fuse 16 A	6700	
208897	1000 VA	230 V	42 V	4 CEE 2 x 16 A/42 V	1 thermaloverloadsafety switch	5.0 A	Fine fuse 16 A	6700	
208570	1200 VA	230 V	24 V	4 CEE 2 x 16 A/24 V	1 thermaloverloadsafety switch	6.0 A	Fine fuse 16 A	6700	
208382	1200 VA	230 V	42 V	4 CEE 2 x 16 A/42 V	1 thermaloverloadsafety switch	6.0 A	Fine fuse 16 A	6700	

Other internals on request

Mobile safety transformers 1500–3500 VA

3500 series



7900 series



7900 series



Dimensions:

H x W x D = 250 x 360 x 360 mm

Dimensions:

H x W x D = 360 x 500 x 173 mm

Dimensions:

H x W x D = 360 x 500 x 173 mm

Order no.	Output	voltage		Output	Internals	Safety devices		Series	Symbols
		230 V	24 V			PRI	SEC		
210996	1500 VA	230 V	24 V	4 CEE 2 x 16 A/24 V	1 thermaloverloadsafety switch 1 start-up current limiter	7.0 A	Fine fuse 16 A	3500	
211000	1500 VA	230 V	42 V	4 CEE 2 x 16 A/42 V	1 thermaloverloadsafety switch 1 start-up current limiter	7.0 A	Fine fuse 16 A	3500	
211002	2000 VA	230 V	24 V	6 CEE 2 x 16 A/24 V	1 thermaloverloadsafety switch 1 start-up current limiter	10.0 A	Fine fuse 16 A	3500	
211006	2000 VA	230 V	42 V	6 CEE 2 x 16 A/42 V	1 thermaloverloadsafety switch 1 start-up current limiter	10.0 A	Fine fuse 16 A	3500	
240790	2500 VA	230 V	24 V	6 CEE 2 x 16 A/24 V	1 thermaloverloadsafety switch 1 start-up current limiter	12.0 A	Fine fuse 16 A	7900	
240182	2500 VA	230 V	42 V	6 CEE 2 x 16 A/42 V	1 thermaloverloadsafety switch 1 start-up current limiter	12.0 A	Fine fuse 16 A	7900	
211020	3000 VA	230 V	24 V	8 CEE 2 x 16 A/24 V	1 thermaloverloadsafety switch 1 start-up current limiter	15.0 A	Fine fuse 16 A	7900	
211030	3000 VA	230 V	42 V	8 CEE 2 x 16 A/42 V	1 thermaloverloadsafety switch 1 start-up current limiter	15.0 A	Fine fuse 16 A	7900	
211033	3500 VA	230 V	24 V	10 CEE 2 x 16 A/24 V	1 thermaloverloadsafety switch 1 start-up current limiter	15.0 A	Fine fuse 16 A	7900	
211058	3500 VA	230 V	42 V	10 CEE 2 x 16 A/42 V	1 thermaloverloadsafety switch 1 start-up current limiter	15.0 A	Fine fuse 16 A	7900	

Other internals on request

Mobile isolation transformers 120–1200 VA

2516 series



Dimensions:
H x W x D = 160 x 250 x 90 mm

6200 series










Dimensions:
H x W x D = 275 x 280 x 230 mm


6700 series



Dimensions:
H x W x D = 305 x 350 x 280 mm

Order no.	Output	voltage		Output	Internals	Safety devices		Series	Symbols
		230 V	230 V			PRI	SEC		
208629	120 VA	230 V	230 V	1 safety contact socket, no	1 thermaloverloadsafety switch	0.6 A		2516	
210937	160 VA	230 V	230 V	1 safety contact socket, no	1 thermaloverloadsafety switch	0.8 A		2516	
210938	320 VA	230 V	230 V	1 safety contact socket, no	1 thermaloverloadsafety switch	1.6 A		6200	
208095	500 VA	230 V	230 V	1 safety contact socket, no	1 thermaloverloadsafety switch	2.5 A		6200	
210595	630 VA	230 V	230 V	1 safety contact socket, no	1 thermaloverloadsafety switch	3.0 A		6700	
208900	1000 VA	230 V	230 V	1 safety contact socket, no	1 thermaloverloadsafety switch	5.0 A		6700	
209108	1200 VA	230 V	230 V	1 safety contact socket, no	1 thermaloverloadsafety switch	6.0 A		6700	

Special 110 V design to USA standard

Order no.	Output	voltage		Output	Internals	Safety devices		Series	Symbols
		115 V*	230 V			PRI	SEC		
210865	1200 VA	115 V*	230 V	1 safety contact socket	1 thermaloverloadsafety switch	10.0 A		6700	

* Input via plug (NEMA standard)

Other internals on request

Mobile isolation transformers 1500–3500 VA

3500 series



Dimensions:

H x W x D = 250 x 360 x 360 mm

3900 series



Dimensions:





H x W x D = 360 x 250 x 173 mm

7900 series



Dimensions:

H x W x D = 360 x 500 x 173 mm

Order no.	Output	voltage		Output	Internals	Safety devices		Series	Symbols
		230 V	230 V			PRI	SEC		
203728	1500 VA	230 V	230 V	1 safety contact socket, no	1 thermaloverloadsafety switch 1 start-up current limiter	7.0 A		3500	
203732	2000 VA	230 V	230 V	1 safety contact socket, no	1 thermaloverloadsafety switch 1 start-up current limiter	10.0 A		3500	
236690	2500 VA	230 V	230 V	1 safety contact socket, no	1 thermaloverloadsafety switch 1 start-up current limiter	12.0 A		3900	
210355	3500 VA	230 V	230 V	1 safety contact socket, no	1 thermaloverloadsafety switch 1 start-up current limiter	16.0 A		7900	

Other internals on request

Stationary safety transformers 120–630 VA

2516 series



Dimensions:











H x W x D = 250 x 160 x 90 mm

3800 series



Dimensions:

H x W x D = 307 x 220 x 132 mm

Order no.	Output	voltage		Output	Internals	Safety devices		Series	Symbols
		230 V	24 V			PRI	SEC		
211118	120 VA	230 V	24 V	1 CEE 2 x 16 A/24 V	1 thermaloverloadsafety switch	0.6 A		2516	
211119	120 VA	230 V	42 V	1 CEE 2 x 16 A/42 V	1 thermaloverloadsafety switch	0.6 A		2516	
211120	160 VA	230 V	24 V	1 CEE 2 x 16 A/24 V	1 thermaloverloadsafety switch	0.8 A		2516	
211123	160 VA	230 V	42 V	1 CEE 2 x 16 A/42 V	1 thermaloverloadsafety switch	0.8 A		2516	
262227	320 VA	230 V	24 V	2 CEE 2 x 16 A/24 V	1 thermaloverloadsafety switch	1.6 A		3800	
262264	320 VA	230 V	42 V	2 CEE 2 x 16 A/42 V	1 thermaloverloadsafety switch	1.6 A		3800	
262263	500 VA	230 V	24 V	2 CEE 2 x 16 A/24 V	1 thermaloverloadsafety switch	2.0 A		3800	
262265	500 VA	230 V	42 V	2 CEE 2 x 16 A/42 V	1 thermaloverloadsafety switch	2.0 A		3800	
211127	630 VA	230 V	24 V	2 CEE 2 x 16 A/24 V	1 thermaloverloadsafety switch	3.0 A	Fine fuse 16 A	3800	
242142	630 VA	230 V	42 V	2 CEE 2 x 16 A/42 V	1 thermaloverloadsafety switch	3.0 A		3800	

Other internals on request

Stationary safety transformers 1000–3500 VA



3900 series



7900 series



Dimensions:

H x W x D = 360 x 250 x 173 mm

Dimensions:

H x W x D = 360 x 500 x 173 mm

Order no.	Output	voltage		Output	Internals	Safety devices		Series	Symbols
						PRI	SEC		
211201	1000 VA	230 V	24 V	3 CEE 2 x 16 A/24 V	1 thermaloverloadsafety switch	5,0 A	Fine fuse 16 A	3900	
211250	1000 VA	230 V	42 V	3 CEE 2 x 16 A/42 V	1 thermaloverloadsafety switch	5,0 A	Fine fuse 16 A	3900	
211261	1200 VA	230 V	24 V	3 CEE 2 x 16 A/24 V	1 thermaloverloadsafety switch	6,0 A	Fine fuse 16 A	3900	
211252	1200 VA	230 V	42 V	3 CEE 2 x 16 A/42 V	1 thermaloverloadsafety switch 1 start-up current limiter	6,0 A	Fine fuse 16 A	3900	
211262	1500 VA	230 V	24 V	4 CEE 2 x 16 A/24 V	1 thermaloverloadsafety switch 1 start-up current limiter	7,0 A	Fine fuse 16 A	3900	
211253	1500 VA	230 V	42 V	3 CEE 2 x 16 A/42 V	1 thermaloverloadsafety switch 1 start-up current limiter	7,0 A	Fine fuse 16 A	3900	
211264	2000 VA	230 V	24 V	6 CEE 2 x 16 A/24 V	1 thermaloverloadsafety switch 1 start-up current limiter	10,0 A	Fine fuse 16 A	7900	
211255	2000 VA	230 V	42 V	6 CEE 2 x 16 A/42 V	1 thermaloverloadsafety switch 1 start-up current limiter	10,0 A	Fine fuse 16 A	7900	
211208	2500 VA	230 V	24 V	6 CEE 2 x 16 A/24 V	1 thermaloverloadsafety switch 1 start-up current limiter	12,0 A	Fine fuse 16 A	7900	
211258	2500 VA	230 V	42 V	6 CEE 2 x 16 A/42 V	1 thermaloverloadsafety switch 1 start-up current limiter	12,0 A	Fine fuse 16 A	7900	
211259	3500 VA	230 V	42 V	6 CEE 2 x 16 A/42 V	1 thermaloverloadsafety switch 1 start-up current limiter	16,0 A	Fine fuse 16 A	7900	

Other internals on request

Stationary isolation transformers 120–3500 VA

2516 series


Dimensions H x W x D
250 x 160 x 90 mm

3800 series


Dimensions H x W x D
360 x 250 x 133 mm

3900 series


Dimensions H x W x D
360 x 250 x 173 mm

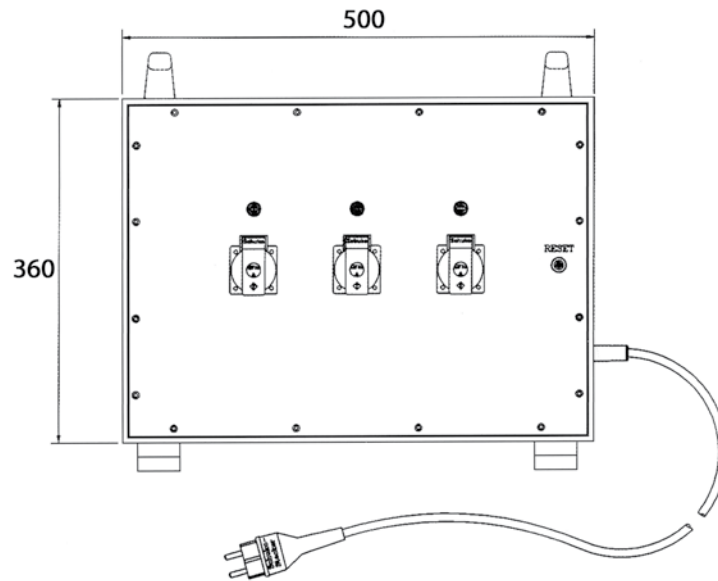
7900 series





Dimensions H x W x D
500 x 360 x 173 mm

Order no.	Output	voltage		Output	Internals	Safety devices		Series	Symbols
		230 V	230 V			PRI	SEC		
211129	120 VA	230 V	230 V	1 safety contact socket, no	1 thermaloverloadsafety switch	0.6 A		2516	
211130	160 VA	230 V	230 V	1 safety contact socket, no	1 thermaloverloadsafety switch	0.8 A		2516	
262258	320 VA	230 V	230 V	1 safety contact socket, no	1 thermaloverloadsafety switch	1.6 A		3800	
262261	500 VA	230 V	230 V	1 safety contact socket, no	1 thermaloverloadsafety switch	2.0 A		3800	
242143	630 VA	230 V	230 V	1 safety contact socket, no	1 thermaloverloadsafety switch	3.0 A		3800	
211192	1000 VA	230 V	230 V	1 safety contact socket, no	1 thermaloverloadsafety switch	5.0 A		3900	
211196	1200 VA	230 V	230 V	1 safety contact socket, no	1 thermaloverloadsafety switch	6.0 A		3900	
211244	1500 VA	230 V	230 V	1 safety contact socket, no	1 thermaloverloadsafety switch 1 start-up current limiter	7.0 A		3900	
211245	2000 VA	230 V	230 V	1 safety contact socket, no	1 thermaloverloadsafety switch 1 start-up current limiter	10.0 A		3900	
211246	2500 VA	230 V	230 V	1 safety contact socket, no	1 thermaloverloadsafety switch 1 start-up current limiter	12.0 A		7900	
211247	3500 VA	230 V	230 V	1 safety contact socket, no	1 thermaloverloadsafety switch 1 start-up current limiter	16.0 A		7900	

Other internals on request

Mobile isolation safety transformers



Order no.	Output / voltage		Output	Internals	Safety devices		Series	Symbols
					PRI	SEC		
211336	3000 VA/230 V	1000 VA/230 V 1000 VA/230 V 1000 VA/230 V	3 safety contact sockets	1 thermal overload safety switch 1 start-up current limiter	15.0 A	Fine fuse 16 A	7900	
211340	3000 VA/230 V	2500 VA/230 V 500 VA/24 V	1 safety contact socket 2 CEE 2 x 16 A/24 V	1 thermal overload safety switch 1 start-up current limiter	15.0 A	Fine fuse 10 A	7900	
211343	3000 VA/230 V	2500 VA/230 V 500 VA/42 V	1 safety contact socket 2 CEE 2 x 16 A/42 V	1 thermal overload safety switch 1 start-up current limiter	15.0 A	Fine fuse 10 A	7900	

Other internals on request

Mobile isolation safety transformers with multiple isolated coils for use conforming to VDE 0100, Part 706

Usage:

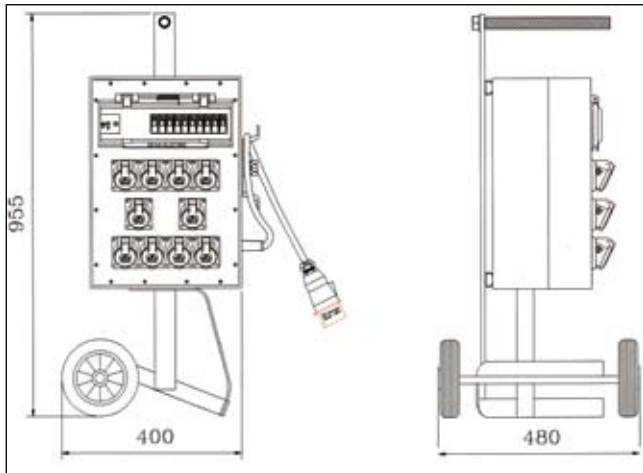
- in conductive areas with limited freedom of movement

For the power supply to manual electric tools and measuring devices according to VDE 0100, Part 706 either:

- Safety low-voltage or
- Safety isolation is required, with each secondary coil on the isolation transformer supplying only one single consumer device.

⇒ An isolation transformer may have multiple secondary coils.

Mobile transformers



Transformer on zinc-plated chassis 511 max. transformer output: 4 kVA

Internals:

- 1 safety transformer 4 kVA, 400 V/42 V, 50 Hz to VDE 0551 pre-fused on the primary side via
- 1 motor protection switch 6-10 A, 3-pole, thermal nominal current set to 10 A

Version:

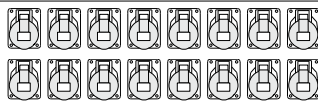
Safety devices positioned behind a transparent safety flap

Distributor dimensions: H x W x D = 500 x 360 x 173 mm

Frame dimensions: H x W x D = 955 x 480 x 400 mm

Weight: approx. 70 kg

Protection rating: IP 54

Order no.	Input	Output	Line protection	Personal protection	Symbols
210333	4 m 5x 6 mm ² CEE 5 x 32 A/400 V	10 CEE 2x16 A/42 V	LS16 A 1p. B		

Other internals and connection outputs on request.



Transformer on zinc-plated special trolley max. transformer output: 12.5 kVA

Internals:

- 1 three phase current isolation transformer 6 kVA, 3x400 V/3x400 V, 50 Hz, to VDE 0551
- 1 changeover switch to use either CEE socket or the safety contact socket as required

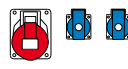
Version:

Motor protection switch positioned behind a transparent safety flap. Distributor with 4 ventilation grilles. Information sign: „CAUTION! Safety isolation transformer hook up only one consumer“

Dimensions: H x W x D = 1200 x 550 x 750 mm

Weight: approx. 175 kg

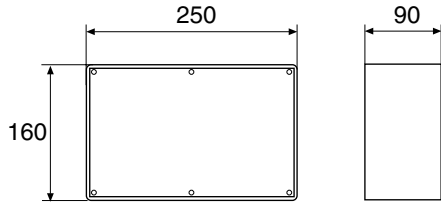
Protection rating: IP X4

Order no.	Input	Output	Line protection	Personal protection	Symbols
232907	3 m 5x 2.5 mm ² CEE 5 x 16 A/400 V	1 CEE 5x16 A/400 V 2 safety contact sockets	Motor protection switch 3p., thermal nominal current, set to 14 A		

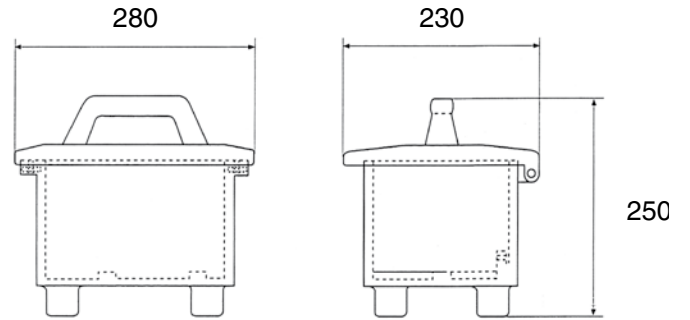
Other internals and connection outputs on request.

Dimensioned drawings for transformers in solid rubber casing

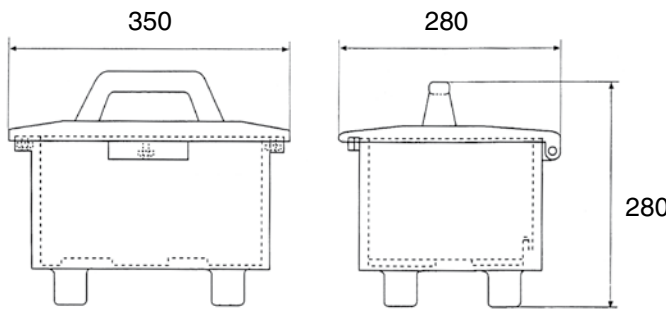
2516 series



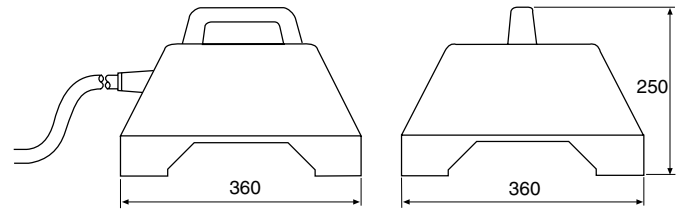
6200 series



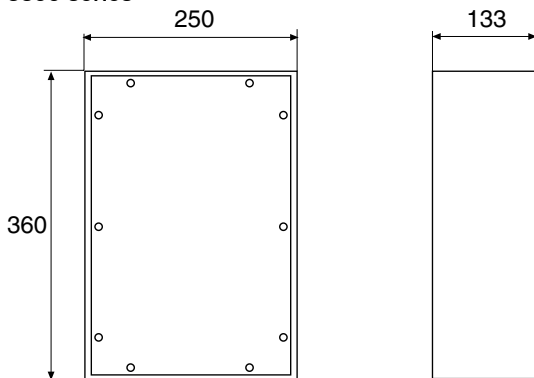
6700 series



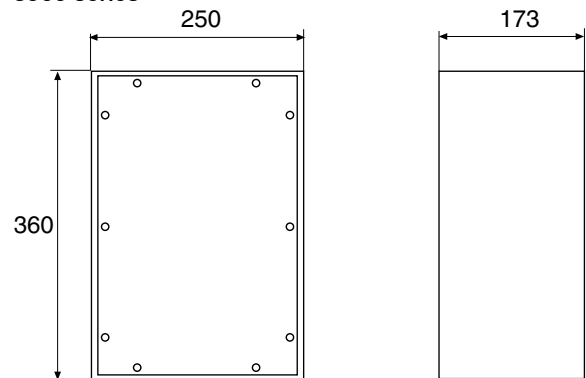
3500 series



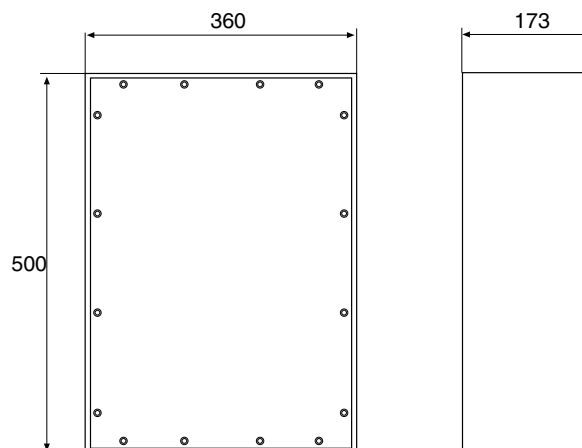
3800 series



3900 series



7900 series



Dimensions table for transformers

Secondary currents in A with U_N in V							
S	U_N	1-phase			3-phase		
		24 V	42 V	230 V	3 X 42 V	3 X 400 V	3 X 500 V
120 VA	I_n P_m	5 A 92 W	2.9 A 92 W	0.5 A 92 W			
160 VA	I_n P_m	6.7 A 123 W	3.8 A 123 W	0.7 A 123 W			
250 VA	I_n P_m	10.4 A 192 W	6 A 192 W	1.1 A 192 W			
320 VA	I_n P_m	13.3 A 246 W	7.6 A 246 W	1.4 A 246 W			
500 VA	I_n P_m	20.8 A 385 W	12 A 385 W	2.2 A 385 W			
630 VA	I_n P_m	26.3 A 485 W	15 A 485 W	2.7 A 485 W			
1.0 kVA	I_n P_m	41.7 A 770 W	23.8 A 770 W	4.3 A 770 W			
1.2 kVA	I_n P_m	50 A 924 W	28.6 A 924 W	5.2 A 924 W	16.5 A 924 W		
1.5 kVA	I_n P_m	62.5 A 1155 W	35.7 A 1155 W	6.5 A 1155 W	20.6 A 1155 W		
2.0 kVA	I_n P_m	83.3 A 1540 W	47.6 A 1540 W	8.7 A 1540 W	27.5 A 1540 W	2.9 A 1540 W	2.3 A 1540 W
2.5 kVA	I_n P_m	104.2 A 1925 W	59.5 A 1925 W	10.9 A 1925 W	34.4 A 1925 W	3.6 A 1925 W	2.9 A 1925 W
3.0 kVA	I_n P_m	125 A 2310 W	71.4 A 2310 W	13 A 2310 W	41.3 A 2310 W	4.3 A 2310 W	3.5 A 2310 W
3.5 kVA	I_n P_m	145.8 A 2695 W	83.3 A 2695 W	15.2 A 2695 W	48.2 A 2695 W	5 A 2695 W	4 A 2695 W
4.0 kVA	I_n P_m	166.7 A 3080 W	95.2 A 3080 W	17.4 A 3080 W	55 A 3080 W	5.7 A 3080 W	4.6 A 3080 W
6.0 kVA	I_n P_m	250 A 4620 W	142.9 A 4620 W	26.1 A 4620 W	82.6 A 4620 W	8.6 A 4620 W	6.9 A 4620 W

S = apparent power (transformer output)

I_n = rated current of the transformer

P_m = max. engine power at (cos. = 0.77)

Inspection vehicle



Examples:

Inspection vehicle with zinc-plated steel underframe, impact and ram protection, cable winding device and 4 crane lugs.



Possible uses:

- Large-scale inspections
- Assembly
- Large construction sites
- Test and assembly sites in industry
- Concert and events
- Theatres



Some installation options:

- Transformers (three phase current, safety or isolation transformers)
- Control elements
- Measuring devices
- Safety elements
- Indicator lamps
- Insulation monitor
- Plugs connectors, etc.

Examples:

Inspection vehicle in painted steel panel casing mounted onto a flatbed lorry. Steel panel cable drums for input and output.



This product can only be created as a result of discussion and exchange. Our experiences and your needs matched perfectly, produce the solution. The options are almost virtually limitless.

Contact us



We look forward to become acquainted with you personally!

Custom made solutions

GIFAS W.J. Gröninger ELECTRIC GmbH
Borsigstrasse 9 • D-41469 Neuss
Postfach 21 03 63 • D-41429 Neuss
Phone 02137 105-0 • Fax 02137 105-230
<http://www.gifas.de> • verkauf@gifas.de

