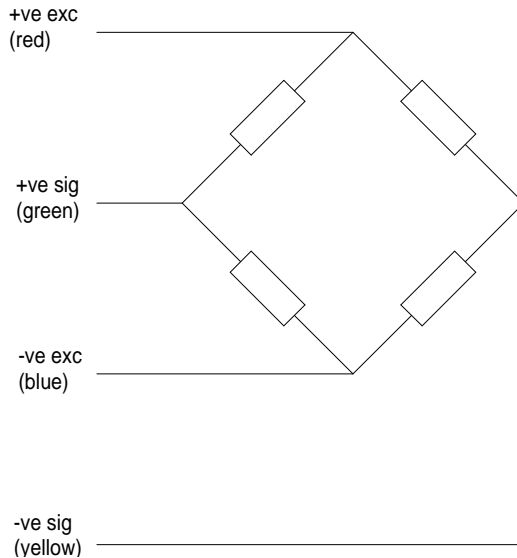




# Shackle Pin

## High strength marine shackle pin

- Range 6.5te to 250te
- Sealed to IP66
- Stainless Steel Pin and Bobbin
- Ideal for direct swap installation
- Robust construction
- ATEX certification available

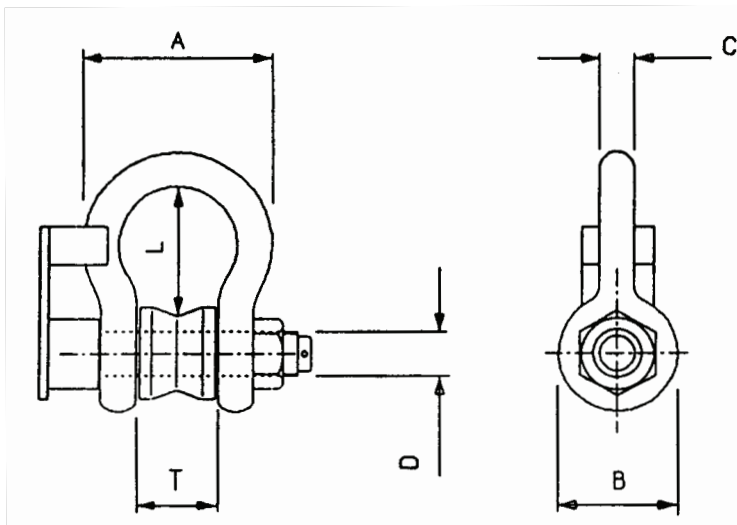


Capacities	6.5 to 500	tonne
Full Load Output	2.0 nom.	mV/V
Zero Load Output	<±2.0	%
Excitation (Max)	10 (15)	V
Accuracy	<0.5	%
Repeatability	<0.10	%
Input Resistance	375 or 745	Ω
Output Resistance	350 or 750	Ω
Compensated Temp. Range	-10 to +60	°C
Operating Temp. Range	-30 to +70	°C
Temp. Coefficient on Zero	<0.005	% Capacity/°C
Temp Coefficient on Span	<0.003	% Capacity/°C
Safe Overload	150	%
Insulation	>500 @100Vdc	MΩ
Environmental Protection	IP66	

Specifications subject to change without notice

Capacity (te)	A	B	C	D	L	T
6.5	100	54	22	25.4	84	38
12	146	76	32	35	119	50
25	225	106	45	50	146	73
55	325	142	68	70	267	105
120	420	203	89	95	368	133
150	460	229	100	108	371	140
250	625	305	115	127	475	215

All dimensions in mm



Options :

Other ranges available on request  
Crosby or Green Pin

ATEX / IECEx Approved to  
Ex ia IIC T6  
Ex tD A20 IP68 T85C

